

Switched interlocked sockets 16/32A

The new generation switched interlocked sockets 16/32A is a combination of modern design and highest performance (according to EN60309, ÖVE)

VERSIONS:

- ✓ 16A and 32A
- ✓ 3-, 4- and 5-poles up to 690V (5h)
- ✓ IP rating IP44/54 and IP66/67
- ✓ for installation indoors and outdoors
- ✓ 2 housing sizes: 230mm without protection
340mm with protection

ADVANTAGES:

■ Housing components made of high valuable PC/ABS plastics

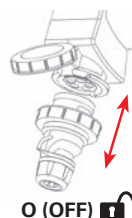
■ Robust construction for wall mounting

■ Housing screws stainless steel



■ Large rotary knob
3-times lockable in OFF position with padlock (40mm, $\varnothing_{\text{max.}}$ 9mm)

- *Mechanical interlock
- after plugging and switching ON plug is locked
 - after switching OFF and unplugging switch is locked



- **On-/Off switch** PCE-MERZ ML0
EN 60947-3;AC22A, 10kA
*OPTION: PCE-MERZ ML1
EN 60947-3;AC22A, 10kA*
- **Threaded insert top M25**
Option: M32 or completely closed
- **Large connection area**
DIN-rail mounting, ready wired
- **Mechanical interlock***
- **Wall mounting** outside of the protected electrical area
- **Threaded insert bottom 2xM25**
Option: 2xM32 or completely closed
- **Contact carrier system**
simple accessibility for maintenance and the necessary check of the contacts
- **Housing can be rotated by 180°**

- **Switching mechanism**
in the top cover
- **Captive screws**

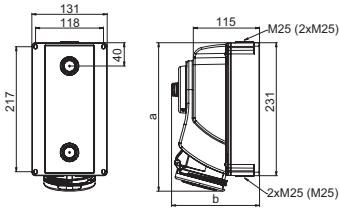
SWITCHED INTERLOCKED SOCKETS PROTECTED

- long version (340mm) with window for 5 units
- window easy accessible on top
- integrated DIN rail EN50022 for all standard protection elements (MCB, RCD, ...)
- ready wired to the DIN rail



Switched interlocked sockets – for wall mounting

mechanical interlock, lockable by padlock



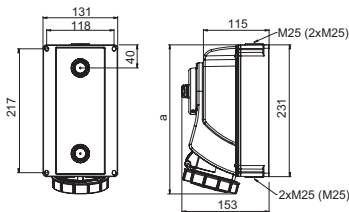
Switched interlocked socket – wall mounting IP44

Poles	16 Amp			32 Amp		
	3	4	5	3	4	5
a [mm]	249	249	249	259	259	259
b [mm]	153	153	153	153	153	153
M* [mm]	3x25	3x25	3x25	3x25	3x25	3x25
Wire flexible [mm ²]	1,5-2,5			2,5-6		
Wire solid [mm ²]	1,5-4			2,5-10		
Weight [g]	1067	1072	1118	1123	1136	1183

- with screw terminals
- housing material: PC/ABS
- contacts: nickel-plated contacts
- mechanical interlock
- top, bottom or rear entry
- incl. threaded bung

IP44/54 splashproof

* Option: M32 or closed



Switched interlocked socket – wall mounting IP67

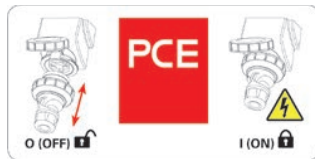
Poles	16 Amp			32 Amp		
	3	4	5	3	4	5
a [mm]	251	251	253	260	260	262
b [mm]	153	153	153	153	153	153
M* [mm]	3x25	3x25	3x25	3x25	3x25	3x25
Wire flexible [mm ²]	1,5-2,5			2,5-6		
Wire solid [mm ²]	1,5-4			2,5-10		
Weight [g]	1130	1150	1190	1210	1220	1270

- with screw terminals
- housing material: PC/ABS
- contacts: nickel-plated contacts
- mechanical interlock
- top, bottom or rear entry
- incl. threaded bung

IP66/67 watertight

* Option: M32 or closed

incl. sticker 0 (OFF) / I (ON)



Amp.	Poles	pack. unit	110V~	230V~	400V~	500V~	440V~
			50/60Hz 4h	50/60Hz 3p=6h 4p+5p=9h	50/60Hz 3p=9h 4p+5p=6h	50/60Hz 7h	60Hz 3h
			Cat.No.	Cat.No.	Cat.No.	Cat.No.	Cat.No.
16	3	1	7513-4	7513-6	7513-9		
16	4	1	7514-4	7514-9	7514-6	7514-7	
16	5	1	7515-4	7515-9	7515-6	7515-7	
32	3	1	7523-4	7523-6	7523-9		
32	4	1	7524-4	7524-9	7524-6	7524-7	
32	5	1	7525-4	7525-9	7525-6	7525-7	




7525-6

16	3	1	75132-4	75132-6	75132-9		
16	4	1	75142-4	75142-9	75142-6	75142-7	
16	5	1	75152-4	75152-9	75152-6	75152-7	
32	3	1	75232-4	75232-6	75232-9		
32	4	1	75242-4	75242-9	75242-6	75242-7	75242-3
32	5	1	75252-4	75252-9	75252-6	75252-7	



75252-6

Advantages:

- stable design for wall mounting
- mechanical interlock:
after plugging and switching-on **plug is locked**
after switching-off and unplugging **switch is locked**
- all components are mounted on bottom
- large connecting area
- ready wired for connection
- for 16A and 32A wiring-through
- at switch-off position: lockable by padlock (40mm) 

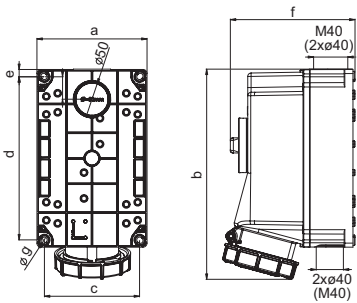
Technical data:

- switched interlocked socket
- 16A and 32A 3-, 4- and 5 poles
- IP44/54 and IP66/67
- **ON/OFF switch PCE-Merz MLO; EN 60947-3; AC22A, 10kA**
- large connection area
- enclosure made of shock-resistant thermoplastic material
- approved acc. to EN60309, ÖVE



Switched interlocked sockets – for wall mounting

mechanical interlock, lockable by padlock



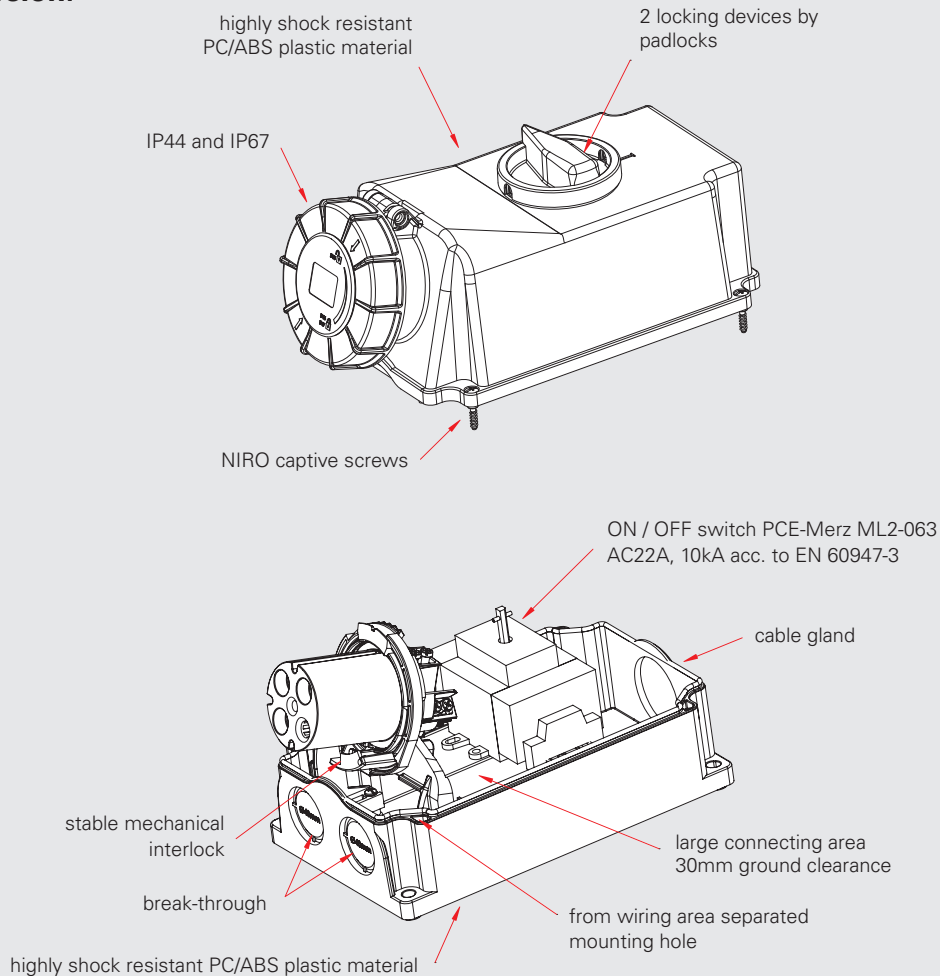
Switched interlocked socket – wall mounting IP67

Poles	63 Amp		
	3	4	5
a [mm]	162	162	162
b [mm]	310	310	310
c [mm]	140	140	140
d [mm]	240	240	240
e [mm]	11	11	11
f [mm]	184	184	184
g [mm]	9	9	9
Wire flexible [mm ²]	6-25		
Wire solid [mm ²]	6-35		
Weight [g]	2049	2032	2179

- with screw terminals
- housing material: PC/ABS
- contacts: brass with lamellar contact CuBe
- mechanical interlock
- top, bottom or rear entry
- housing can be rotated by 180°
- incl. threaded bung

IP66/67 watertight

63A version:



Special designs available on request

Amp.	Poles	pack. unit	110V~	230V~	400V~	500V~	440V~
			50/60Hz 4h	50/60Hz 3p=6h 4p+5p=9h	50/60Hz 3p=9h 4p+5p=6h	50/60Hz 7h	60Hz 3h
			Cat.No.	Cat.No.	Cat.No.	Cat.No.	Cat.No.
63	3	1	75332-4	75332-6	75332-9	75332-7	
63	4	1	75342-4	75342-9	75342-6	75342-7	
63	5	1	75352-4	75352-9	75352-6	75352-7	



75352-6

■ ■ ■ Advantages:

- housing material: high shock-resistant PC/ABS
- stable design for wall mounting
- suitable for in- and outdoor installations
- mechanical interlock:
 - after plugging and switching-on plug is locked
 - after switching-off and unplugging switch is locked
- generously sized connecting area
- ready wired for connection
- at switch-off position: lockable by padlock 40mm 
- external screws made of stainless steel

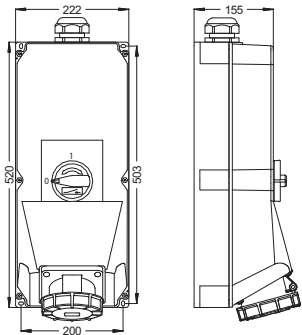
■ ■ ■ Technical data 63A:

- 63A 3-, 4- and 5 poles
- terminals max. 25/35mm²
- multiple cable entry options
- degree of protection IP66/67
- main switch PCE Merz ML2-063
 - category AC22A, 690V (AC3, 690V, 3~, 22kW)
 - rated conditional short-circuit-current 10kA
 - mechanical life of 30.000 cycles
- approved acc. to EN60309, ÖVE



Switched interlocked sockets – for wall mounting

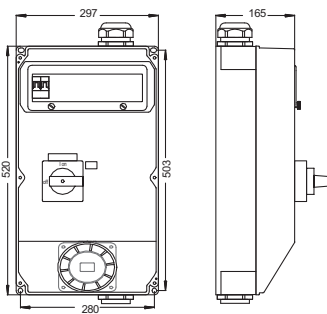
mechanical or electric interlock, lockable by padlock



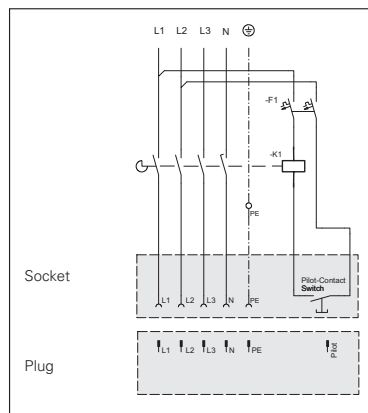
Switched interlocked socket – mechanical interlock 125A

- **WxHxD = 520x222x155mm**
- with screw terminals
- housing material: PC/ABS
- contacts: brass with lamellar contact CuBe
- mechanical interlock
- top entry
- compact design

IP67 watertight



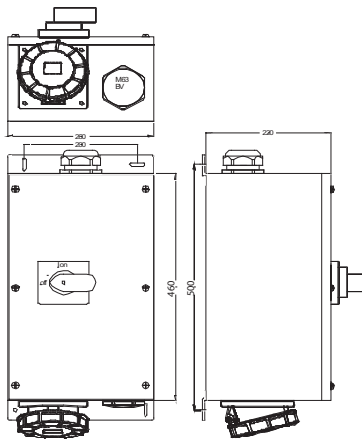
Switched interlocked socket – electric interlock 125A



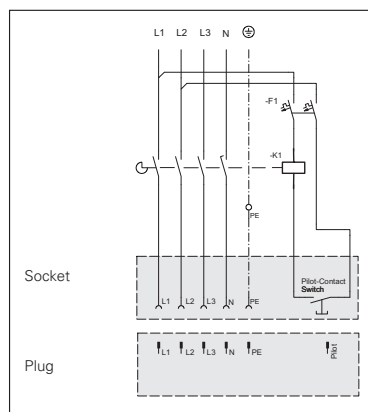
- **WxHxD = 520x297x165mm**
- material PC/ABS
- compact design
- controlled by circuit breaker 125A 4p with integrated low voltage circuit breaker 400V by PCS-system (see page 8)
- top or bottom entry (M63)
- control circuit protected with circuit breaker 10A 2p
- thermic release adjustable from 0,7 to 1 In
- manual resetting after voltage breakdown of the entry (trip position)

IP54 splash- and dustproof

IP66 on request



Switched interlocked socket – electric interlock 125A



- **WxHxD = 460x260x220mm**
- metal housing (RAL 7035), protection degree IP66
- controlled by circuit breaker 125A 4p with integrated low voltage circuit breaker 400V by PCS-system (see page 8)
- optional with integrated RCD protection device
- wall mounting devices outside
- top or bottom entry (M63)
- control circuit protected with circuit breaker 10A 2p
- thermic release adjustable from 0,7 to 1 In
- manual resetting after voltage breakdown of the entry (trip position)

IP66 watertight

Circuit diagram

Technical data 125A:

- 125A 3-, 4- and 5 poles
- terminals max. 70/50mm²
- cable gland M50 (cable diameter 32-38mm)
- degree of protection IP66 or 67

Amp.	Poles	pack. unit	110V~	230V~	400V~	500V~	440V~
			50/60Hz 4h	50/60Hz 3p=6h 4p+5p=9h	50/60Hz 3p=9h 4p+5p=6h	50/60Hz 7h	60Hz 3h
			Cat.No.	Cat.No.	Cat.No.	Cat.No.	Cat.No.

125	3	1	9755090	9755102	9755091	9755101
125	4	1	9755095	9755096	9755099	9755098
125	5	1	9755104	9755105	9755100	9755103

Special designs available on request



125	5	1					9029100
-----	---	---	--	--	--	--	----------------



125	5	1					9754100
-----	---	---	--	--	--	--	----------------



- circuit breaker PCE Merz ML3
 - category AC22A, 690V (AC3, 690V, 3~, 45kW)
 - rated conditional short-circuit-current 10kA
 - mechanical life of 30.000 cycles
- approved acc. to EN60309, ÖVE

