

eMobility

Charging infrastructure

■ Flanged socket Type2 for charging electric vehicles accord. IEC/EN 62196

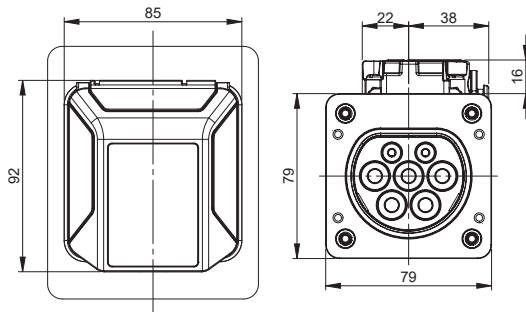
- DESIGN..... clear, modern design
- ERGONOMICS.. easy operation (one-hand)
- QUALITY high quality materials, glass fiber reinforced lid
- SERVICE all parts can be easily replaced
- ASSEMBLY..... various mounting options (front or rear panel mounting, different actuator positions)

IP-rating **IP44/54**
ÖVE, VDE certified



Scope of delivery:

- Flanged socket Type2
- Frame with self-closing lid
- Actuator (incl. cable)
- Mounting frame
- Flange seal
- Mounting screws



Technical data: (for further details: www.pceelectric.at)	
Charging power	22 kW AC 3~
Rated current I_{nA}	32A
Rated voltage U_n	480V AC
Cable cross section L1-L3, N, PE	2,5- 6,0 mm ²
Cable cross section CP, PP	0,5 mm ²
Actuator connection cable length	500 mm



Front panel mounting
Rear panel mounting

Cat.No.

e325-f

e325-r

